



 **UNIQUE**
FASTENERS 
CONCRETE ACCESSORIES



Unique Fasteners

“an innovative, global, leading and experienced fastener company”

Our mission is to be unsurpassed as a provider of high quality service and products to our customers through the cooperative effort of a highly motivated and educated group of self-actualizing employees. Our diverse array of valid customers and manufacturers in the automotive, electronics, electric motors, appliances, and plastic/rubber molding industries has provided us with ample experience to provide you with our knowledge and expertise.



QUALITY ASSURANCE

Unique Fasteners assures effective communication with each supplier. We continually monitor the quality and manufacturing process while coordinating the production and delivery of components to the distributor.

LARGE INVENTORIES

We can stock product in our warehouse and release to you over a six to eight month period. This keeps you competitive while controlling your cash flow at the same time. Unique Fasteners stocks many popular items in our warehouse today and continues to expand the inventory on a daily basis.

ABOUT US

Looking for a highly detailed and customized bolt or simple nut or what have you? Look no further. At Unique Fasteners, we offer you the best in the world. With more than 50 years of combined experience, we have been helping our large clientele of numerous fortune 500, mid-sized and small companies with exceptional products from leading manufacturers around the globe. We leave no stone unturned for a highly customized, timely and quality service. The stocking program lets us store product in our spacious 200,000 sq. ft. warehouse in Sugar Land, TX, and maintain two to three months of inventory at all times.

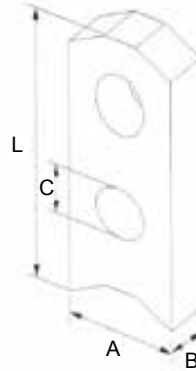
Email:

info@uniquefasteners.com

Phone:

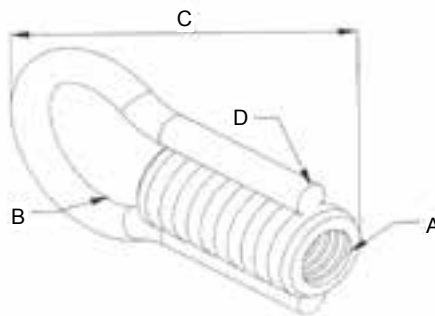
281.275.3900

2 HOLE ERECTION ANCHOR



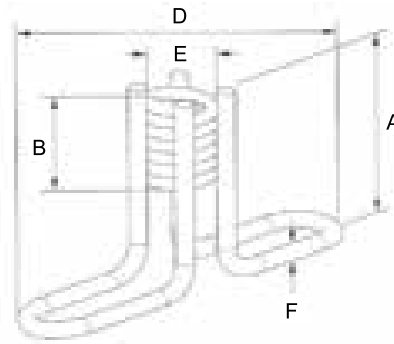
Description	Clutch ID	Length (L)	Width (A)	Thickness (B)	Hole Dia (C)	SWL 4:1 Tension Load (lbs)	Finish	Weight (lbs)
2T 2 Hole Erection Anchor	2-2.5T	4"	1-1/4"	3/8"	3/4"	4000	Electro Galvanized	0.34
4T 2 Hole Erection Anchor	4-5T	4"	1-1/2"	5/8"	11/16"	8000	Electro Galvanized	1

LOOP FERRULE



Description	Bolt Dia (A)	Length (C)	Insert Length	Insert Dia	Insert Radius (B)	Wire Dia (D)	SWL Tension Load (lbs)	Finish	Weight (lbs)
Loop Ferrule	3/4"	3-1/2"	1-5/8"	1"	13/16"	0.262"	2400	Electro Galvanized	0.30
Loop Ferrule	5/8"	3-1/2"	1-5/8"	7/8"	13/16"	0.262"	2300	Electro Galvanized	0.28
Loop Ferrule	1/2"	2-3/4"	1-3/8"	11/16"	9/16"	0.243"	2000	Electro Galvanized	0.18

THIN SLAB INSERT



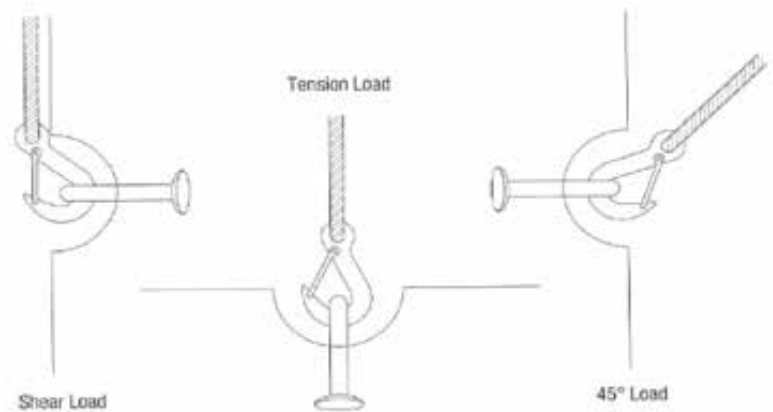
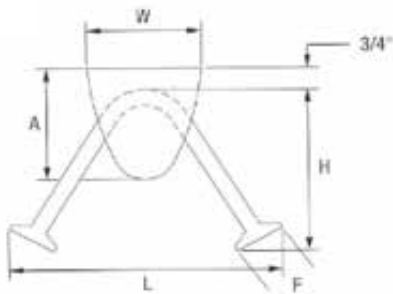
Description	Bolt Dia	Height (A)	Coil Dia (E)	Coil Length (B)	Wire Dia (F)	Length (D)	Min. Edge Distance	SWL Tension Load (lbs)	Weight (lbs)	Finish
Thin Slab Insert	1"	2-5/16"	2"	2"	0.306"	6"	5"	2000	0.95	Electro Galvanized
Thin Slab Insert	1"	4-1/2"	2"	2"	0.306"	6"	8"	4750	1.22	Electro Galvanized

BAR TIES



Description	Length	Gage	Pcs/ Bundle
Bar Ties	4"	17	5,000
Bar Ties	6"	16	5,000
Bar Ties	8"	16	5,000
Bar Ties	10"	16	5,000
Bar Ties	10"	14	2,500
Bar Ties	16"	16	2,500
Bar Ties	16"	17	2,500
Bar Ties	24"	16	2,500

SLAB - UT LIFT ANCHOR



Description	Slab Thickness	H	L	D	F	Shear Load (SWL) (lbs.)	45° Load (SWL) (lbs.)	Tension Load (SWL) (lbs.)	Weight (lbs.)	Finish
UT Lift Anchor	4"	3-1/8"	5-9/32"	0.45"	1-3/8"	1800	800	1200	0.43	Electro Galvanized
UT Lift Anchor	4-1/2"	3-3/4"	6"	0.45"	1-3/8"	6500	1900	3000	0.50	Electro Galvanized
UT Lift Anchor	5-1/2"	4-3/4"	7-1/8"	0.45"	1-3/8"	8000	2100	4000	0.60	Electro Galvanized
UT Lift Anchor	4-1/2"	3-3/4"	6-13/16"	0.67"	1-3/8"	7500	4800	4000	1.07	Electro Galvanized
UT Lift Anchor	5-1/2"	4-3/4"	7-3/8"	0.67"	1-3/8"	10000	7200	6000	1.28	Electro Galvanized
UT Lift Anchor	8"	6-3/4"	10"	0.67"	1-3/8"	13500	12000	10000	1.71	Electro Galvanized

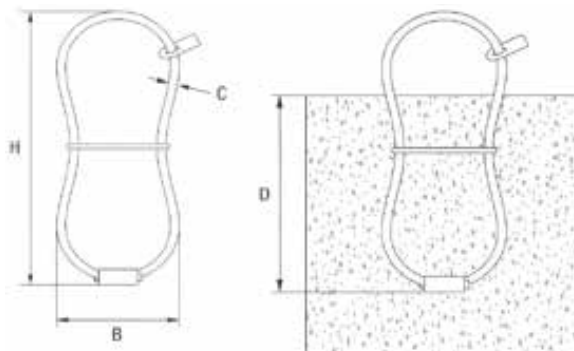
NOTE: Load based on 4:1 safety factor & minimum concrete strength of 4000 psi with full shear cone.

PLASTIC STAR INSERT



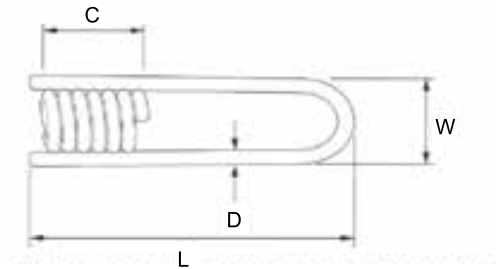
Description	Bolt Dia	Insert Length	Tension (SWL)	Weight (lbs.)	Material
Plastic NC Thread Insert	1/2"	2-1/2"	2500	0.06	HDPE
Plastic NC Thread Insert	5/8"	3"	3000	0.07	HDPE
Plastic NC Thread Insert	3/4"	3"	3300	0.07	HDPE

CABLE LOOP LIFTER



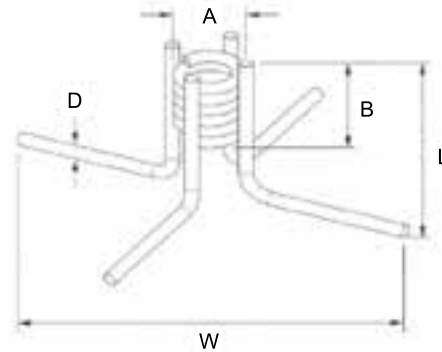
Description	SWL (lbs.)	H	B	C	D	Weight (lbs.)	Tag Color
Cable Loop Anchor	1,600	8"	3.75"	0.236"	5.30"	0.17	White
Cable Loop Anchor	2,400	9"	4"	0.276"	6"	0.28	Red
Cable Loop Anchor	3,200	10"	5"	0.315"	6.70"	0.35	Purple
Cable Loop Anchor	4,000	12"	5.25"	0.354"	8"	0.58	Green
Cable Loop Anchor	5,000	13"	5.50"	0.394"	8.70"	0.72	Drak Grey

STRAIGHT COIL LOOP INSERT



Description	Bolt Dia	Length (L)	Width (W)	Thread (T)	Coil Length (C)	Wire Dia (D)	SWL Tension (lbs.)	Finish	Weight (lbs.)
Straight Coil Loop Insert	1"	4-1/2"	2-1/16"	1-3.5	2"	0.375"	3750	Electro Galvanized	0.68
Straight Coil Loop Insert	1"	5"	2-1/16"	1-3.5	2"	0.375"	3750	Electro Galvanized	0.70
Straight Coil Loop Insert	1"	6"	2-1/16"	1-3.5	2"	0.375"	3750	Electro Galvanized	0.74

LOOP FERRULE



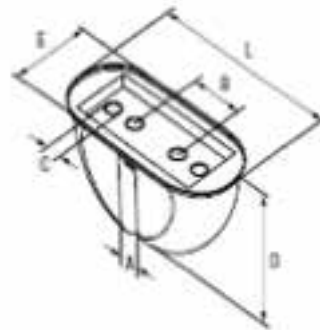
Description	Bolt Dia	Insert Length (L)	Coil Dia (A)	Coil Height (B)	Wire Dia (D)	Leg Length (W)	SWL Tension (lbs.)	Finish	Weight (lbs.)
"L" Leg Coil Insert	1"	4"	1-7/8"	1-7/8"	0.306"	9-1/2"	3500	Electro Galvanized	1.39

RING LIFT CLUTCH



Description	Ring Clutch (Tons)	Clutch ID	L	B	C	D	E	Weight (lbs.)
Ring Lift Clutch	2T	2-2.5T	10-15/16"	3-1/8"	3-1/16"	2-5/16"	3-3/4"	3.41
Ring Lift Clutch	4T	4-5T	12-15/16"	4-1/16"	3-7/8"	2-7/16"	4-9/16"	7.69

RING LIFT REUSABLE RECESS FORMER



Description	Ring Clutch (Tons)	Clutch ID	Length (L)	Height (D)	Width (E)	Slot Width (A)	Hole Distance (B)	Hole Dia (C)	Weight (lbs.)
Ring Lift Reusable Recess Former	2-2.5T	2.5T	3-3/4"	1-7/8"	1-3/4"	3/8"	1-1/16"	0.406"	0.22
Ring Lift Reusable Recess Former	4-5T	5T	4-7/8"	2-1/4"	2-3/16"	5/8"	1-3/8"	0.406"	0.48

STEEL INSERT



Description	Bolt Dia.	Insert length	Tension (SWL)	Weight (lbs.)
Steel NC Thread Insert	1/2"	2-7/8"	3000	0.26
Steel NC Thread Insert	5/8"	2-7/8"	3000	0.32
Steel NC Thread Insert	3/4"	2-7/8"	3500	0.29

WALL TIE



Description	Size	Unit	Finish	Weight (lbs.)	Packaging
Full Wall Ties	4"	Bundle	Plain	0.22	100 Pcs/ Bundle
Full Wall Ties	6"	Bundle	Plain	0.28	100 Pcs/ Bundle
Full Wall Ties	8"	Bundle	Plain	0.33	100 Pcs/ Bundle
Full Wall Ties	10"	Bundle	Plain	0.41	100 Pcs/ Bundle

REUSEABLE UT FORMER



DESCRIPTION	L	W	A	B	Color ID	Weight (lbs.)
UT Recess Former	8"	3"	3-1/4"	0.45"	Orange	1.44
UT Recess Former	8"	3"	3-1/4"	0.67"	Green	1.73

UTILITY FORMER MOUNTING PLATE



Description	Size	Weight (lbs.)	Surface
UT Former Mounting Plate	2-2.5T	0.14	Plain
UT Former Mounting Plate	4-5T	0.21	Plain