

- Aluminum Extrusions
- Cargo Safety Products
- **Concrete**
- Electrical
- Hose Clamps
- OEM
- Post Tension
- Shoring
- Trailer Parts
- Wire Mesh



ALL INDUSTRIAL PRODUCT  
SOLUTIONS

# CONCRETE PRODUCT CATALOG

2024

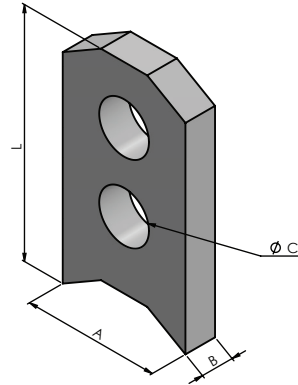


Scan Code to  
Visit Our Website



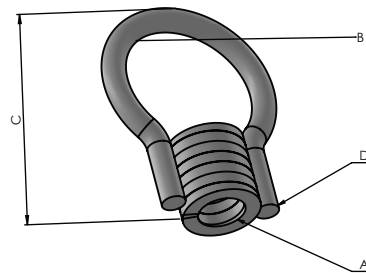
# CONCRETE

## 2 HOLE ERECTION ANCHOR



Description	Clutch ID	Length L	Weight A	Thickness B	Hole Dia. C	SWL 4:1 Tension Load - LBS	Finish	Weight LBS
2 Hole Erection Anchor	2-2.5T	4"	1-1/4"	3/8"	3/4"	4000	Electro Galvanized	0.34
2 Hole Erection Anchor	4-5T	4"	1-1/2"	5/8"	11/16"	8000	Electro Galvanized	1

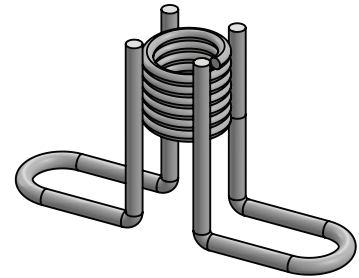
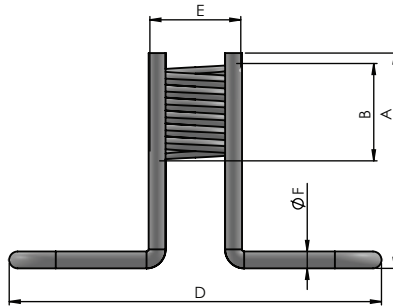
## LOOP FERRULE



Description	Bolt Dia. A	Length C	Insert Length	Insert Dia.	Insert Radius B	Wire Dia. D	SWL 4:1 Tension Load - LBS	Finish	Weight LBS
Loop Ferrule	3/4"	3-1/2"	1-5/8"	1"	13/16"	0.262"	2400	Electro Galvanized	0.30
Loop Ferrule	5/8"	3-1/2"	1-5/8"	7/8"	13/16"	0.262"	2300	Electro Galvanized	0.28

# CONCRETE

## THIN SLAB INSERT



Description	Bolt Dia. ID	Height A	Coil Dia. E	Coil Length B	Wire Dia. F	Length D	Min. Edge Distance	SWL Tension Load - LBS	Weight LBS	Finish
Thin Slab Insert	1"	2-5/16"	2"	2"	0.306"	6"	5"	2000	0.95	Electro Galvanized
Thin Slab Insert	1"	4-1/2"	2"	2"	0.306"	6"	8"	4750	1.22	Electro Galvanized

## BAR TIES

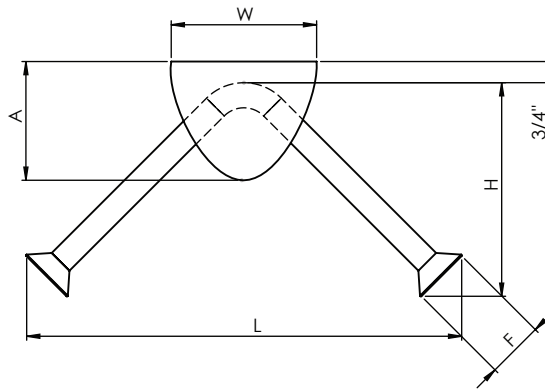


Description	Length	Gage	Pcs/Bundle
Bar Ties	4"	17	5000
Bar Ties	6"	16	5000
Bar Ties	8"	16	5000
Bar Ties	10"	16	2500
Bar Ties	12"	16	2500
Bar Ties	16"	16	2500
Bar Ties	20"	16	2500



# CONCRETE

## SLAB - UT LIFT ANCHOR



Description	Slab Thickness	H	L	D	F	Shear Load SWL - LBS	45° Load SWL - LBS	Tension Load SWL - LBS	Weight LBS	Finish
UT Lift Anchor	4"	3-1/8"	5-9/32"	0.45"	1-3/8"	1800	800	1200	0.43	Electro Galvanized
UT Lift Anchor	4-1/2"	3-3/4"	6"	0.45"	1-3/8"	6500	1900	3000	0.50	Electro Galvanized
UT Lift Anchor	5-1/2"	4-3/4"	7-1/8"	0.45"	1-3/8"	8000	2100	4000	0.60	Electro Galvanized
UT Lift Anchor	4-1/2"	3-3/4"	6-13/16"	0.67"	1-3/8"	7500	4800	4000	1.07	Electro Galvanized
UT Lift Anchor	5-1/2"	4-3/4"	7-3/8"	0.67"	1-3/8"	10000	7200	6000	1.28	Electro Galvanized
UT Lift Anchor	8"	9-3/4"	10"	0.67"	1-3/8"	13500	12000	10000	1.71	Electro Galvanized

**\*NOTE:** Load based on 4:1 safety factor & minimum concrete strength of 4000 psi with full shear cone.

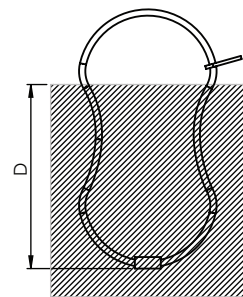
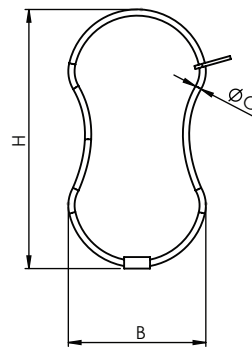
# CONCRETE

## PLASTIC STAR INSERT



Description	Bolt Dia.	Insert Length	Tension SWL	Weight LBS	Material
Plastic NC Thread Insert	1/2"	2-1/2"	2500	0.06	HPDE
Plastic NC Thread Insert	5/8"	3"	3000	0.07	HPDE
Plastic NC Thread Insert	3/4"	3"	3300	0.07	HPDE

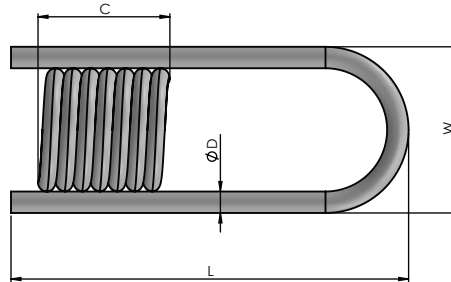
## CABLE LOOP LIFTER



Description	Ton	SWL LBS	H	B	C	D	Weight LBS	Tag Color
Cable Loop Lifter	.8T	1600	8"	3.75"	0.236"	5.7"	0.19	White
Cable Loop Lifter	1.2T	2400	9"	4"	0.276"	6.2"	0.27	Red
Cable Loop Lifter	1.6T	3200	10"	5"	0.315"	6.5"	0.38	Purple
Cable Loop Lifter	2T	4000	12"	5.25"	0.354"	7.8"	0.56	Green
Cable Loop Lifter	2.5T	5000	13"	5.5"	0.394"	9"	0.75	Dark Grey
Cable Loop Lifter	3.8T	7600	14.5"	6.5"	0.472"	9.4"	1.18	Yellow
Cable Loop Lifter	5T	10000	15"	7"	0.551"	10"	1.93	Dark Blue

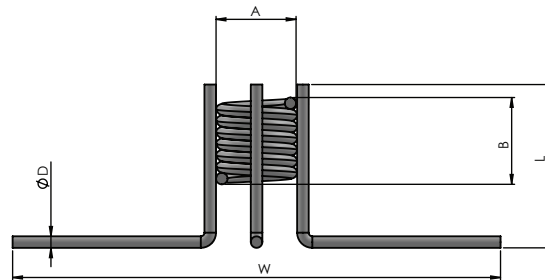
# CONCRETE

## STRAIGHT COIL LOOP INSERT



Description	Bolt Dia.	Length L	Width W	Thread T	Coil Length C	Wire Dia. D	SWL Tension LBS	Finish	Weight LBS
Straight Coil Loop Insert	1"	4-1/2"	2-1/16"	1-3.5	2"	0.375"	3750	Electro Galvanized	0.68
Straight Coil Loop Insert	1"	5"	2-1/16"	1-3.5	2"	0.375"	3750	Electro Galvanized	0.70
Straight Coil Loop Insert	1"	6"	2-1/16"	1-3.5	2"	0.375"	3750	Electro Galvanized	0.74

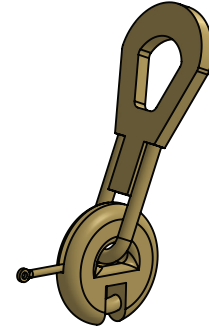
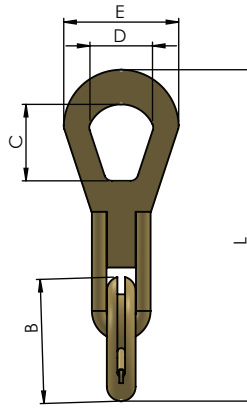
## LOOP FERRULE



Description	Bolt Dia.	Length L	Coil Dia. A	Coil Height B	Wire Dia. D	Leg Length W	SWL Tension LBS	Finish	Weight LBS
"L" Leg Coil Insert	1"	4"	1-7/8"	1-7/8"	0.306"	9-1/2"	3500	Electro Galvanized	1.39

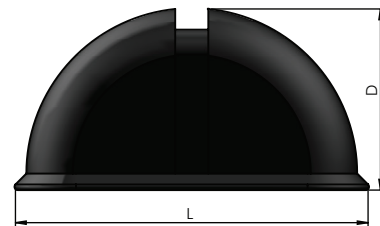
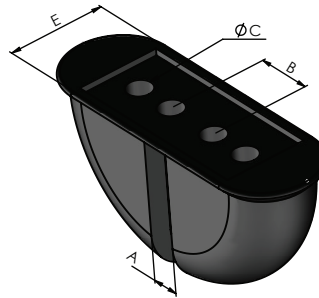
# CONCRETE

## RING LIFT CLUTCH



Description	Ring Clutch Tons	Clutch ID	L	B	C	D	E	Weight LBS
Ring Lift Clutch	2T	2-2.5T	10-15/16"	3-1/8"	3-1/16"	2-5/16"	3-3/4"	3.41
Ring Lift Clutch	4T	4-5T	12-15/16"	4-1/16"	3-7/8"	2-7/16"	4-9/16"	7.69

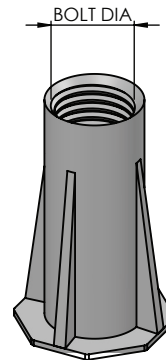
## RING LIFT REUSABLE RECESS FORMER



Description	Ring Clutch Tons	Clutch ID	Length L	Height D	Width E	Slot Width A	Hole Distance B	Hole Dia. C	Weight LBS
Ring Lift Reusable Recess Former	2-2.5T	2.5T	3-3/4"	1-7/8"	1-3/4"	3/8"	1-1/16"	0.406"	0.22
Ring Lift Reusable Recess Former	4-5T	5T	4-7/8"	2-1/4"	2-3/16"	5/8"	1-3/8"	0.406"	0.48

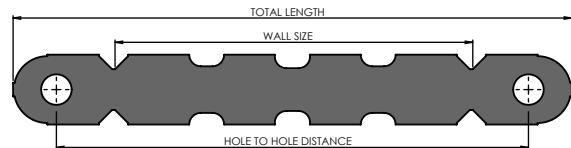
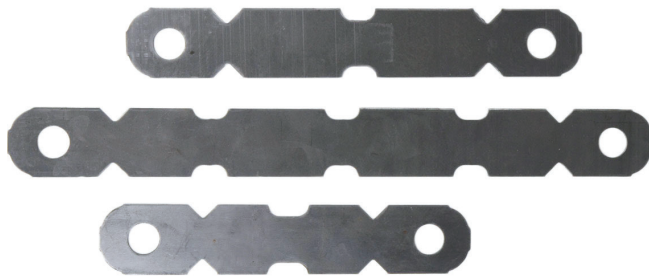
# CONCRETE

## STEEL INSERT



Description	Bolt Dia.	Insert Length	Tension SWL	Weight LBS
Steel Insert	1/2"	2-7/8"	3000	0.26
Steel Insert	5/8"	2-7/8"	3000	0.32
Steel Insert	3/4"	2-7/8"	3500	0.29

## WALL TIE

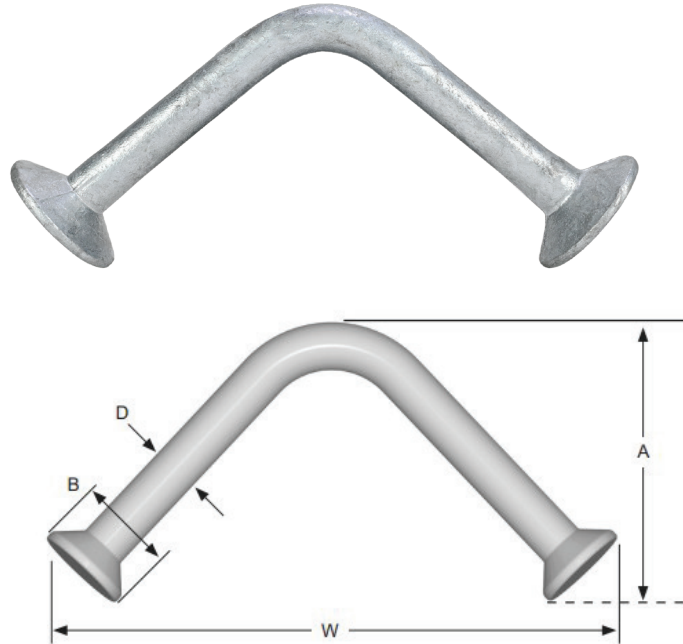


Description	Size	Unit	Finish	Weight LBS	Packaging
Full Wall Ties	4"	Bundle	Plain	0.22	100 Pcs/Bundle
Full Wall Ties	6"	Bundle	Plain	0.28	100 Pcs/Bundle
Full Wall Ties	8"	Bundle	Plain	0.33	100 Pcs/Bundle
Full Wall Ties	10"	Bundle	Plain	0.41	100 Pcs/Bundle



# CONCRETE

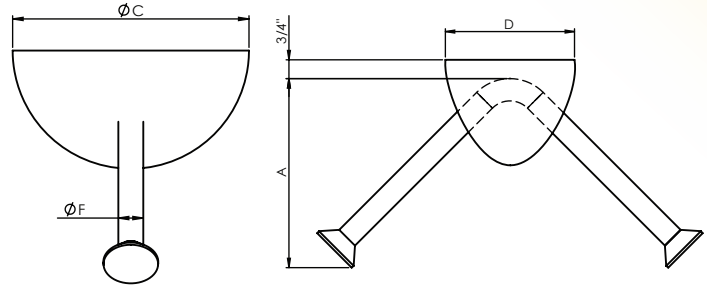
## A-ANCHOR



Description	Size	A	B	D	W
A-Anchor	5"-14MM	3-3/4"	1-9/16"	9/16"	8-5/16"
A-Anchor	5"-18MM	3-3/4"	2"	11/16"	8-3/16"
A-Anchor	6"-14MM	4-3/4"	1-9/16"	9/16"	10-9/16"
A-Anchor	6"-18MM	4-3/4"	2"	11/16"	9-1/16"
A-Anchor	8"-18MM	6-3/4"	2"	11/16"	12-1/4"

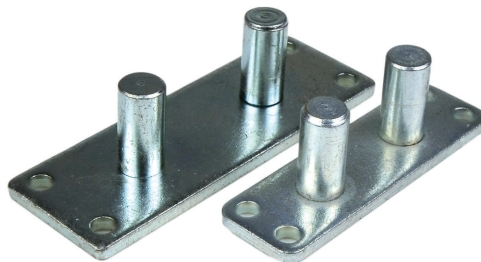
# CONCRETE

## REUSEABLE UT FORMER



Description	L	W	A	B	Color ID	Weight LBS
UT Recess Former	8"	3"	3-1/4"	0.45"	Orange	1.44
UT Recess Former	8"	3"	3-1/4"	0.67"	Green	1.73

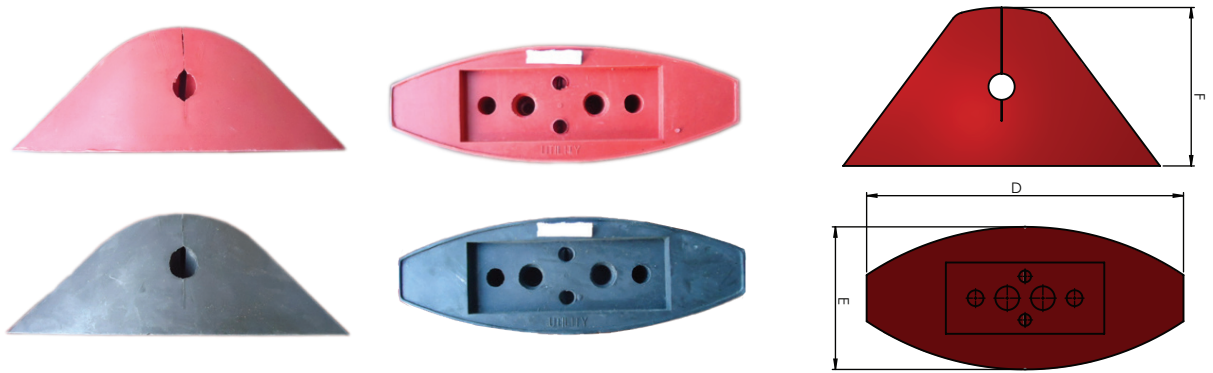
## UTILITY FORMER MOUNTING PLATE



Description	Size	Weight LBS	Surface
UT Former Mounting Plate	2-2.5T	0.14	Plain
UT Former Mounting Plate	4-5T	0.21	Plain

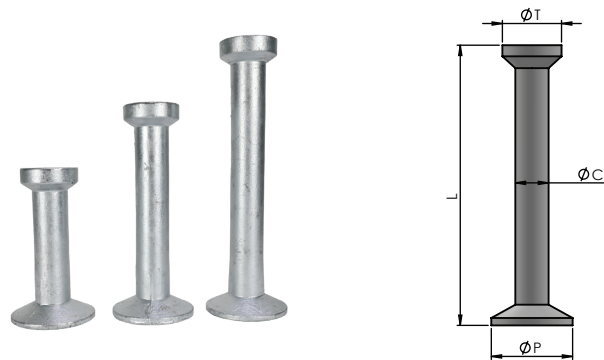
# CONCRETE

## REUSEABLE FORMER FOR A-ANCHOR



Description	D	E	F	Color
A-anchor 14mm	9"	3"	3-1/4"	Red
A-anchor 18mm	9"	3"	3-1/4"	Black

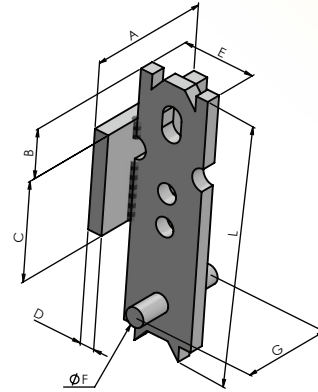
## DOGBONES



Description	T	C	P	L
1T	3/4"	3/8"	1"	35mm to 240mm
2T	1"	9/16"	1-3/8"	45mm to 280mm
4T	1-7/16"	3/4"	2"	65mm to 340mm
8T	1-7/8"	1-1/8"	2-5/8"	75mm to 340mm
16T	2-5/8"	1-1/2"	3-7/8"	200mm to 800mm

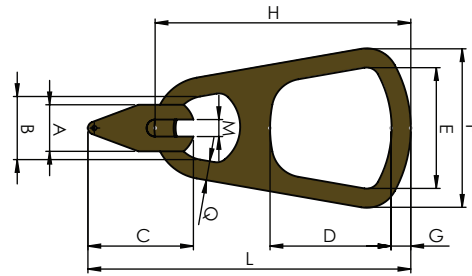
# CONCRETE

## ANCHOR PIN WITH SHEAR PLATE 4T



Description	A	B	C	D	E	F	G	L
4T	2-1/2"	1-1/4"	3"	3/8"	2-1/2"	3/4"	3"	10-7/8"
8T	3"	1-5/8"	3-1/2"	3/8"	3-3/4"	3/4"	3"	12-3/4"

## LIFTING EYE



*\*Note: Dimensions are in mm*



Description	A	B	C	D	E	F	G	H	L	M	Q
1.3T	34.6"	44"	83.7"	70"	45.3	74.7	20	158.8	184	11+1.5	12.8
2.5T	42"	47"	101"	84"	51.7	85	25	189	224	15+2	13.8
5T	58"	73.5"	137"	87"	66	115	36.3	233	277	21+2	19.6
10T	74"	96"	178"	113.5"	78	160.3	51	335	387	30+2	27.6
20T	110"	122"	232"	150"	111	194	71	431	503	42+2	35
32T	154"	160"	306"	190"	166	273	98	572	64	54+2	40