

- Aluminum Extrusions
- Cargo Safety Products
- Concrete
- **Electrical**
- Hose Clamps
- OEM
- Post Tension
- Shoring
- Trailer Parts
- Wire Mesh



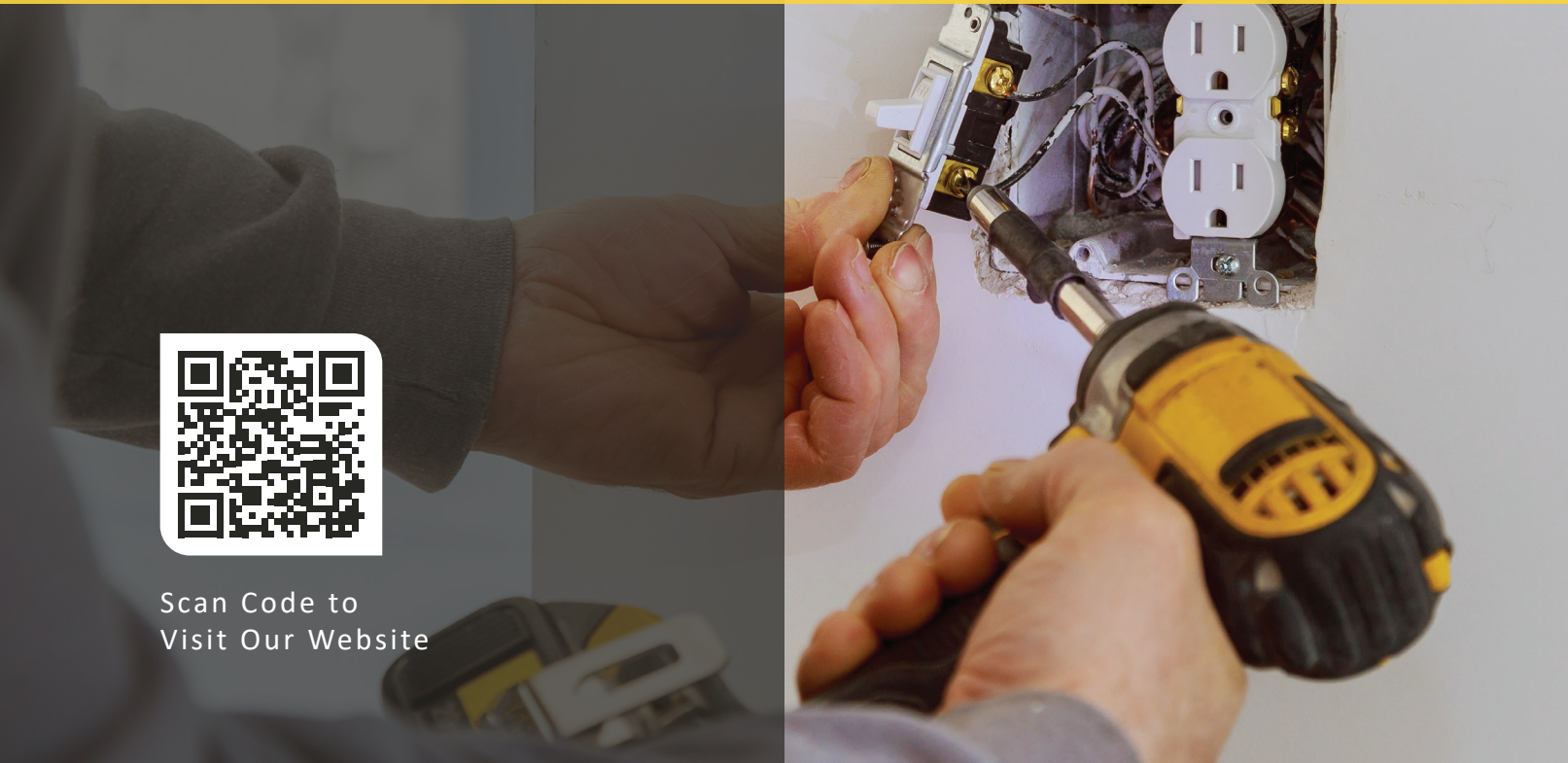
ALL INDUSTRIAL PRODUCT
SOLUTIONS

ELECTRICAL PRODUCT CATALOG

2024



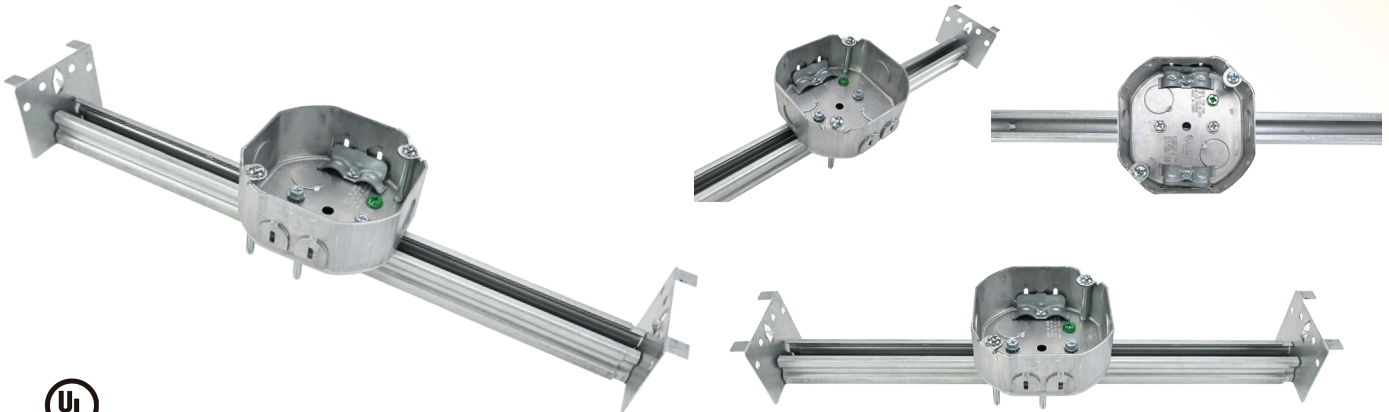
Scan Code to
Visit Our Website



ELECTRICAL

EBAR-1624

Adjustable Bar Hanger With 4" Octagonal Box



20 Cubic Inch

**Dimensions are nominal*



Part Number	Description	Load Limit		Box Quantity
		Ceiling Fan	Fixture	
EBAR-1624	16"-24" Adjustable Bar Hanger	70	110	14" to 24"

- The adjustable bar hanger, which is adjustable from 16" to 24", has a 4" octagon box and clamps for flexible metal conduits
- It can be installed in walls and ceilings for lighting fixtures and other outlet devices that are powered using flexible metal conduits
- The cable clamps allow the flexible metal conduits to be easily terminated in boxes eliminating the need for external box connectors. This bracket allows easy box positioning along studs or joints

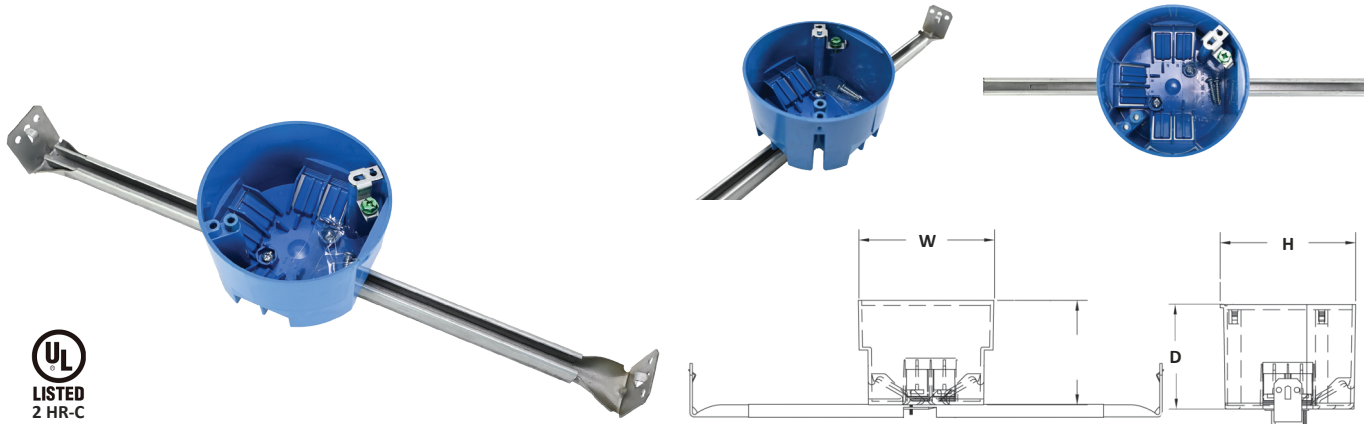
Finish
Electro-Galvanized

Material
Galvanized Steel

ELECTRICAL

UFBPC40 - OUTLET BOX

UFBPC40 New Work, 20 cu. in. Ceiling Box with Adjustable Hanger Bar, Wire Clamps and Ground Lug



(2 hours fire-ceiling rated - UL LISTED)

Supports fixtures with 50 lbs (Rating - UL LISTED)
*Not suitable for ceiling fans

20 Cubic Inch

*Dimensions are nominal



Part Number	Carton Quantity	Height	Width	Depth	Expands
UFBPC40	75	4.000	4.000	2.300	14" to 24"

- **UFBPC40** is a 20 cu. inch, new construction ceiling box with an attached bar hanger for adjustable, support between ceiling joints as well as a ground lug for grounding
- **UFBPC40** is for residential and light commercial ceiling applications
- **UFBPC40** features wire clamps and an adjustable bar hanger that adjusts from 14" to 24" for added support and installation options
- Supports fixtures with 50 lbs. Load Rating - UL LISTED
- **UFBPC40** conforms to UL 514C for ceiling fans up to 35 lbs for span of 14" to 18"
- **UFBPC40** is NOT rated for ceiling fans for span of 18" to 24"
- Engineered for easy, cost saving installation and constructed with durable polycarbonate for extra strength

ELECTRICAL

AST

Cable Connectors



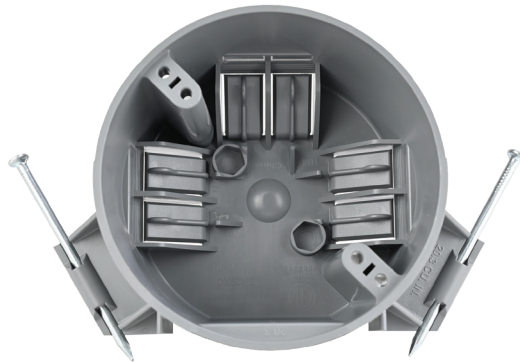
Part Number	Cable Type	Cable OD	Cable Size	Box QTY
E38AST	MC-PCS CABLE MCI-A/HCF/AC Steel & Aluminum	0.405 to 0.605	14/2 ,14/3, 14/4 & 12/2 w/ and w/o ground	50
E3838AST	Flexible Metal Conduit Steel & Aluminum (RWFMC)	3/8" Flex 0.405 to 0.605	10/2, 10/3	25
E40AST	MC-PCS CABLE MCI-A/HCF/AC Steel & Aluminum	0.485 to 0.610	14/3, 14/4, 12/2 and 12/3 w/ and w/o ground	50

- **Designed** for new construction, this series offers quick, easy snap-in installation into cable and into box.
- **NO TOOLS** required

ELECTRICAL

UF20CN

4" Round Ceiling PVC Box with Nails



Part Number	Description	Box Quantity
-------------	-------------	--------------

UF20CN

4" Round Ceiling PVC Box with Nails

75

- **4-inch** round ceiling box with two captive mounting nails and four integral clamps for use where the ceiling is not enclosed
- **Features** a depth-mounting gauge at bottom of the bracket to help align the box at the proper depth relative to the ceiling
- **High grade of PVC** (polyvinyl chloride) construction for higher performance, lower installation cost, and rust and corrosion resistance
- **ETL** (Intertek's) classified to UL514C
- Two captive mounting nails and four auto clamps
- Impact-resistant PVC construction
- Virtually unbreakable and non-conductive
- Height 4" x Width 4" X Depth 2.18"
- Volume 20.5 cu.in.
- 1 Gang and Round Shape.
- Depth-mounting gauge at bottom of bracket helps align the box at the proper depth relative to the ceiling
- ETL listed for fixture support
- ETL listed to UL 514C

Finish

PVC (Polyvinyl chloride)

Material

PVC (Polyvinyl chloride)

Load Limit

50 LBS for a Lighting Fixture

ELECTRICAL

3.0 USB

Available in Different Colors



Description

Quantity

3.0 USB with White Cover

80 Pcs/ Box

3.0 USB with Ivory Cover

80 Pcs/ Box

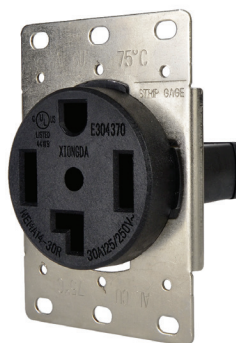
3.0 USB with Black Cover

80 Pcs/ Box

3.0 USB with Light Almond Cover

80 Pcs/ Box

INDUSTRIAL RECEPTACLE NEMA



Description

Quantity

14-30R 50A 125/250V Industrial Receptacle Nema

100 Pcs/ Box

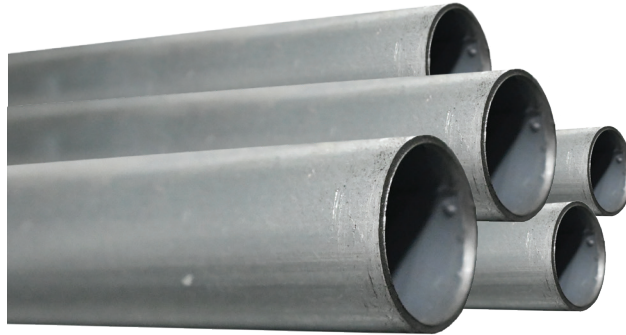
14-50R 50A 125/250V Industrial Receptacle Nema

100 Pcs/ Box

ELECTRICAL

EMT

Available in Different Sizes on Request



Part Number	Description	Quantity
CEMT-075EG	CEMT-075EG 3/4" EMT Conduit 10' EG Finish	350 Pcs/ Bundle
CEMT-100EG	CEMT-100EG 1" EMT Conduit 10' EG Finish	140 Pcs/ Bundle
CEMT-125EG	CEMT-125EG 1-1/4" EMT Conduit 10' EG Finish	100 Pcs/ Bundle
CEMT-150EG	CEMT-150EG 1-1/2" EMT Conduit 10' EG Finish	60 Pcs/ Bundle
CEMT-200EG	CEMT-200EG 2" EMT Conduit 10' EG Finish	45 Pcs/ Bundle
CEMT-300EG	CEMT-300EG 3" EMT Conduit 10' EG Finish	51 Pcs/ Bundle
CEMT-400EG	CEMT-400EG 4" EMT Conduit 10' EG Finish	30 Pcs/ Bundle

UF32DN



Part Number	Description	Bag Quantity
UF32DN	32 CU IN 2 GANG W/Nails Grey Color	100 Pcs/ Box

ELECTRICAL

ATR ZINC

Available in Different Sizes on Request



Description	Quantity
1/4-20 X 10' ATR Zinc	1250 Pcs/ Pallet
3/8-16 X 10' ATR Zinc	625 Pcs/ Pallet
1/2-13 X 10' ATR Zinc	300 Pcs/ Pallet

DP CORD



Description	Quantity
3' DP Cord	100 Pcs/ Box
6' DP Cord	50 Pcs/ Box

LAMPHOLDER



Description	Quantity
Plastic Keyless Lampholder	108 Pcs/ Box