

- Aluminum Extrusions
- **Cargo Safety Products**
- Concrete
- Electrical
- Hose Clamps
- OEM
- Post Tension
- Shoring
- Trailer Parts
- Wire Mesh



ALL INDUSTRIAL PRODUCT
SOLUTIONS

CARGO SAFETY PRODUCTS CATALOG

2024



Scan Code to
Visit Our Website

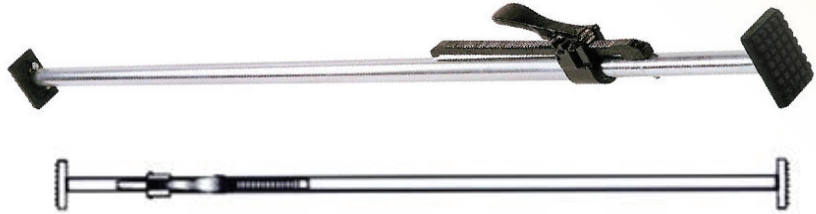


CARGO SAFETY

CARGO BARS - LOAD BARS

Steel & Aluminum Cargo Bars in

- *Regular*
- *Spring Loaded*
- *Hoop Style*
- *Weld-On Hoops*



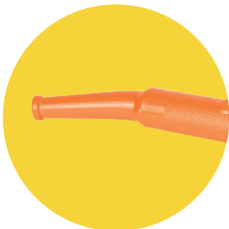
CHAINS

- 1/4"X36" Safety Chain Grade 70 with 1 Forged Hook
- 3/8"X36" Safety Chain Grade 70 with 1 Forged Hook
- 3/8"X20FT Grade 70 Boomer Chain W/Hooks
- 5/16"X20FT Grade 70 Boomer Chain W/Hooks
- 3/8"X16" Safety Chain Grade 70 with 2 Forged Hooks
- 1/2"X20" Safety Chain Grade 70 with 2 Forged Hooks
- 1/4"X60" Safety Chain Grade 70 with 2 Forged Hooks



WINCH BARS

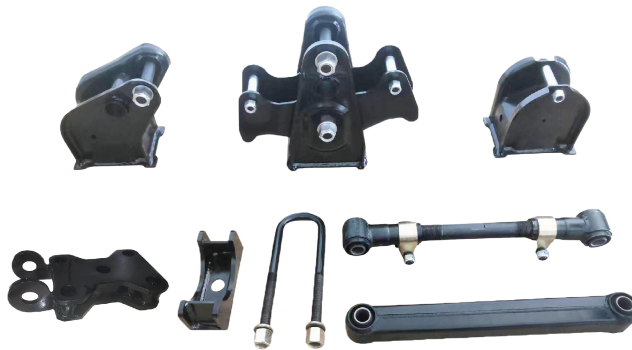
- **Winch Bar**- Standard Mushroom Tip, Grooved Tip Chrome and Painted
- **Winch Bar**- Combination Box End Chrome (*Mushroom & Grooved Tip*)



CARGO SAFETY



HUTCH KIT



Part Number	Description	Bag Quantity
UFHUTCHK01	Center Hanger	2 Pcs
UFHUTCHK02	Equalizer	2 Pcs
UFHUTCHK03	Front Hanger	2 Pcs
UFHUTCHK04	Rear Hanger	2 Pcs
UFHUTCHK05	Adjustable Torque Arm Assemblies	2 Pcs
UFHUTCHK06	Fixed Rod 19.25"	2 Pcs
UFHUTCHK07	U-Bolts	8 Pcs
UFHUTCHK08	Bottom Plates	4 Pcs
UFHUTCHK09	Spring Seat	4 Pcs

DECKING BEAM



CARGO SAFETY

HAND WINCH

- Available with strap
- 900, 1600, & 2500 LBS



HITCH BALL WRENCH

- Wrenches to Install All Types of Hitch Balls
- Fits most Common Sizes



CORNER PROTECTOR



D-RINGS



COIL RACK

- Heavy Duty and Economy Racks



CARGO SAFETY

LOAD BINDERS

- *Ratchet Load Binder*
5/16" - 3/8" and 3/8" - 1/2"



STORAGE BINS

- Storage Bins NESTING Feature to Save Space and to Hold Different Articles Inside Trucks can be Attached to all E-Tracks, X-Tracks



WINCHES

- *Dacromet Coating also Available*



CARGO SAFETY

REFRIGERATED CONTAINER LASHING POINTS

- Lashing Point with Screw Nail Arrangement
- Individual Refer Lashing Point



PIPE LIFTING CLAMPS

- PE / Aluminum Lined
- Also Available in Scratch Resistant PE Coating



CARGO NET



CARGO SAFETY

NON SKID - SNOW TIRE CHAINS



WHEEL NET TIE DOWN

- 2" Ratchet Strap with Double J Hooks Length: **11FT**
- Break Strength: **11000LBS**
- Long Strap Part with 3 Pcs Rubber Block & 1 PC Sliding Double J Hook



RATCHET STRAPS

- 1", 1.5", 2", 3" & 4" Width
- Available with Wire Hook, Delta Ring, Chain Anchor, Forged Hook and Flat Hook
- Special Coated Extreme **Anti-Abrasive Webbing** Available



WINCH STRAPS

- 2", 3", 4" Winch Straps
- **End Fittings:** Flat Hook, Wire Hook, Delta Ring, Soft Eye, Chain Anchor & Grab Hook



CARGO SAFETY

EQUILIZER BAR

Black Paint Finish



Galvanized Finish



A	B	C	D
7 3/4"	2 7/8"	9/16"	9/16"

Features

7-3/4" Long curved equalizer connects double-eye springs on tandem or triple axle trailers, and allows for enough movement between the axles to keep the ride smooth and the load secured. Center bolt hole is 9/16" in diameter and comes with Nylon Bushing.

- 7-3/4" from center to center of bottom holes
- 2-7/8" from center to center of either bottom hole to the top hole
- Comes with Galvanized and Black Paint finish
- Connects double-eye springs on dual or triple axle trailers
- Springs attach to each of the equalizer with shackle straps (sold separately)
- Equalizer is suspended from center hanger (sold separately)
- Helps to distribute the weight of the trailer evenly to the front and rear springs
- Provides smoother riding trailer
- Fits 1-3/4" wide, double-eye leaf springs with 9/16" spring eyes
- Center and spring eye holes are all 9/16"

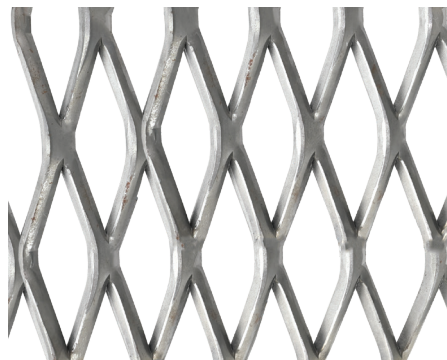
CARGO SAFETY

E-TRACK FITTING

- 6" Track Adapter Strap - Available in different colors
- Rope Ring



EXPANDED METAL



Part Number

Description

UFEM24X120-V

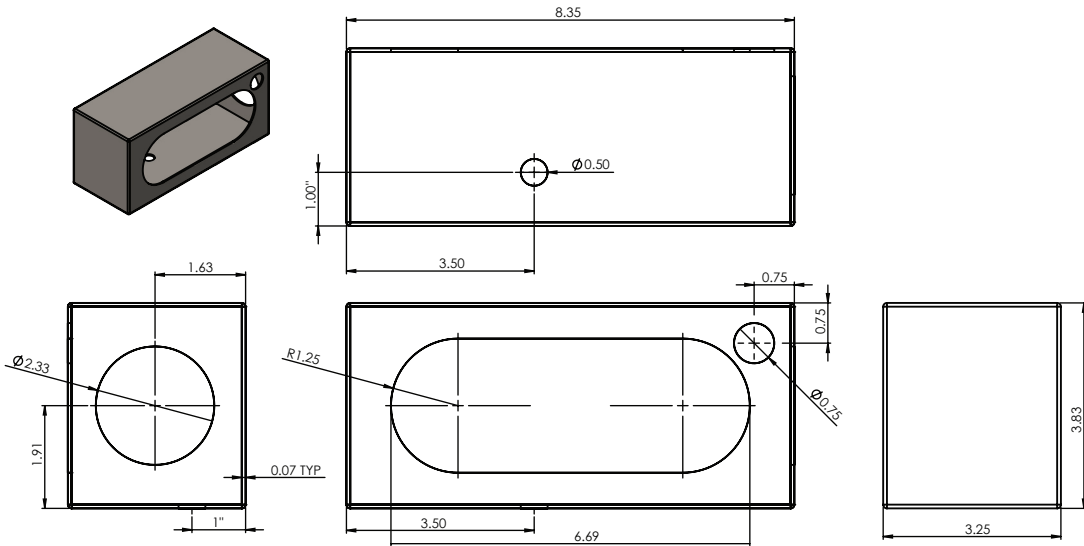
Expanded Metal 24" X 120"

CARGO SAFETY

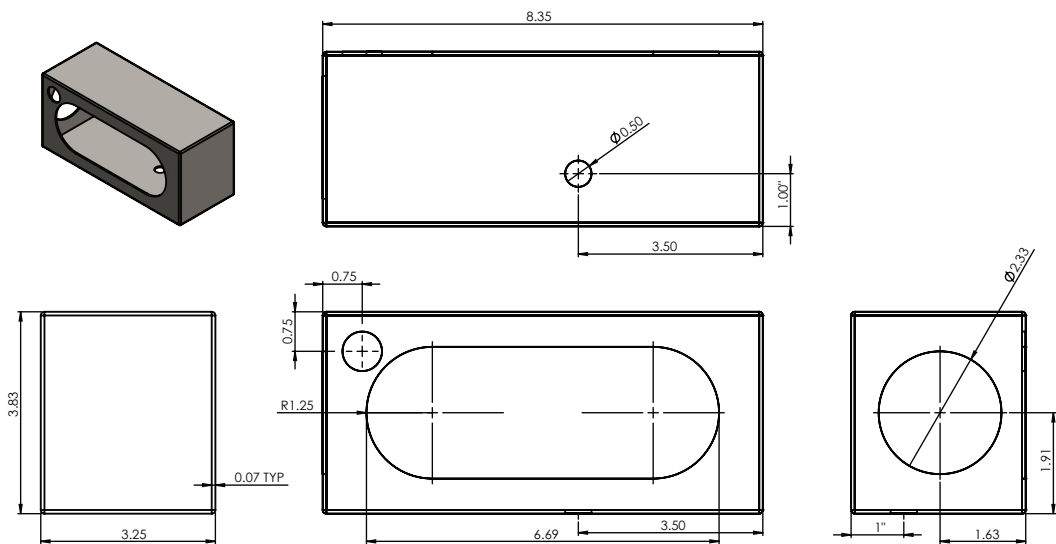
LIGHT BOXES



Right

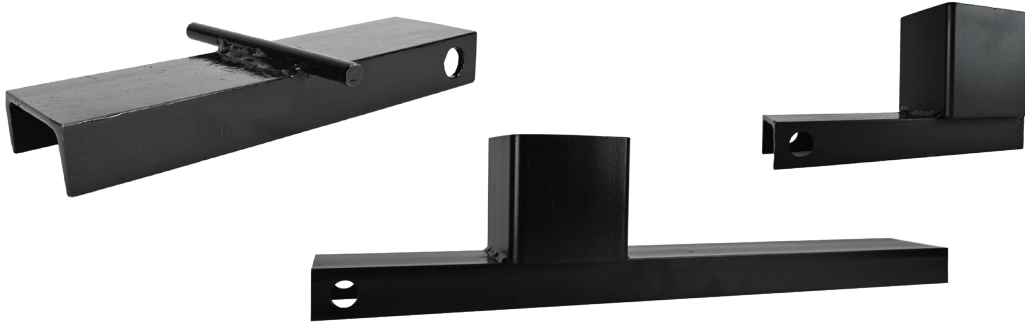


Left



CARGO SAFETY

PIPE STAKE & BOARD HOLDER



Part Number	Description
UFTBH00	Board Holder For Oak 11 GA
UFTSP24WBH	Pipe Stake 24" C-Channel with Board Holder
UFTSP24	Pipe Stake 24" C-Channel
UFTSP30	Pipe Stake 30" C-Channel
UFTSP36	Pipe Stake 36" C-Channel
UFTSP48	Pipe Stake 48" C-Channel

EQUALIZER

- 7K HD
- 2" X 12"



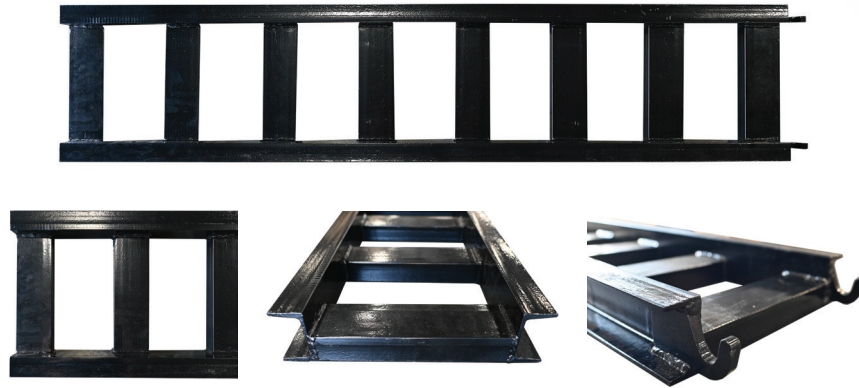
WINCH & HAULING TRACK

- WT01 Steel Winch Track 6FT Long



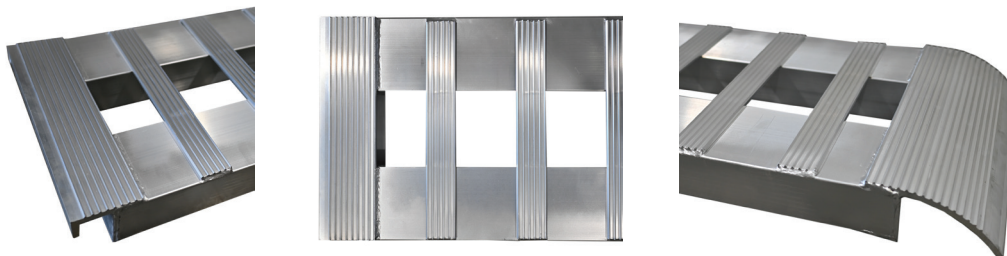
CARGO SAFETY

TRAILER RAMPS



Part Number	Description
UFTRMP60	Ramp 13" X 60" for C5 & C6
UFTRMP77	Ramp Slide in 3" Channel 16" X 77" for most PJ Dumps
UFTRMP96	Ramp GN Slide in 16" X 96"

ALUMINUM TRAILER RAMPS



Part Number	Description
UFATR07	7" Aluminum Ramp with 3/16 or 1/4 Cross Members
UFATR08	8" Aluminum Ramp with 3/16 or 1/4 Cross Members
UFATR10	10" Aluminum Ramp with 3/16 or 1/4 Cross Members
UFATR12	12" Aluminum Ramp with 3/16 or 1/4 Cross Members

CARGO SAFETY

HITCH PIN



Part Number	Description
UFHP58425	Hitch Pin 5/8" X 4.25 Yellow Zinc
UFHP58325	Hitch Pin 5/8" X 3.25 Yellow Zinc

DECK SCREW



Part Number	Description
UFDS516214	5/16-18x2-1/4 Torx Flat Head TY-F Case Hard Black Phosphated

LEAF SPRING



Part Number	Description
UFE5115LS	E5115 6 Leaf Spring 29 1/2" LGTH. Slipper Hook Eye 4300 # Capacity

TRAILER COUPLER LOCK



Part Number	Description
UFTCL001	Coupler Lock: Universal, 1 7/8 in/2 5/16 in/2 in, Powder Coated Yellow, (2) Keys